



GLYCODUR®
Automotive Applications

GLYCODUR® in cars

Nowadays a great deal is expected of the modern car: Quality, a high degree of comfort, functionality, flexibility, durability, recycling compatibility and much more. GLYCODUR® sliding bearings have a considerable influence and effect on these properties. It's no surprise, therefore, that millions of GLYCODUR® sliding bearings are used in over 30 components and assemblies in the vehicles of numerous manufacturers throughout the world.

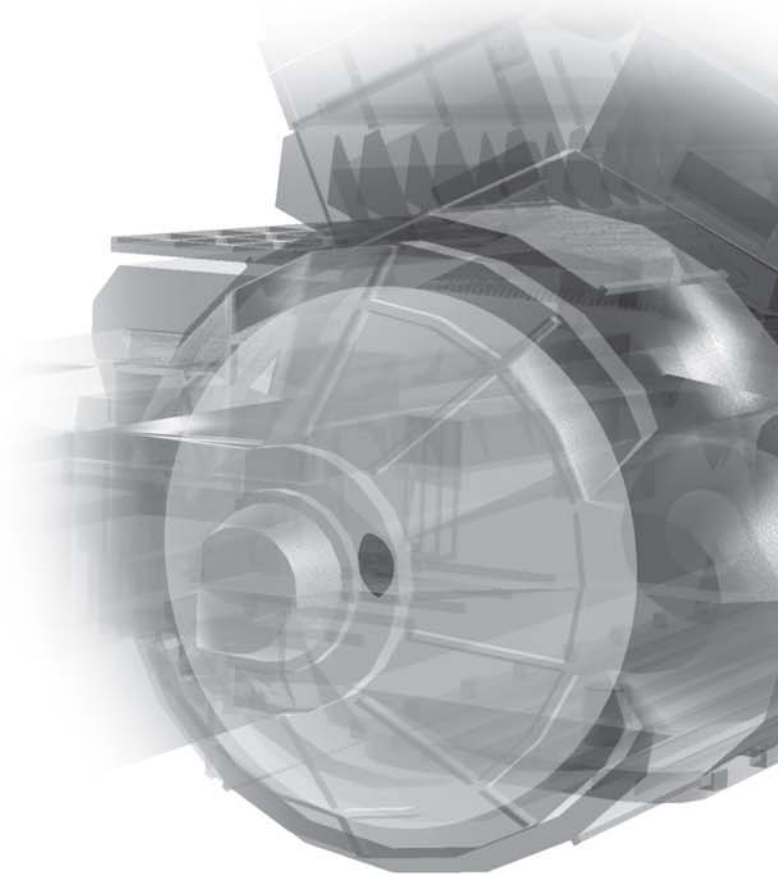
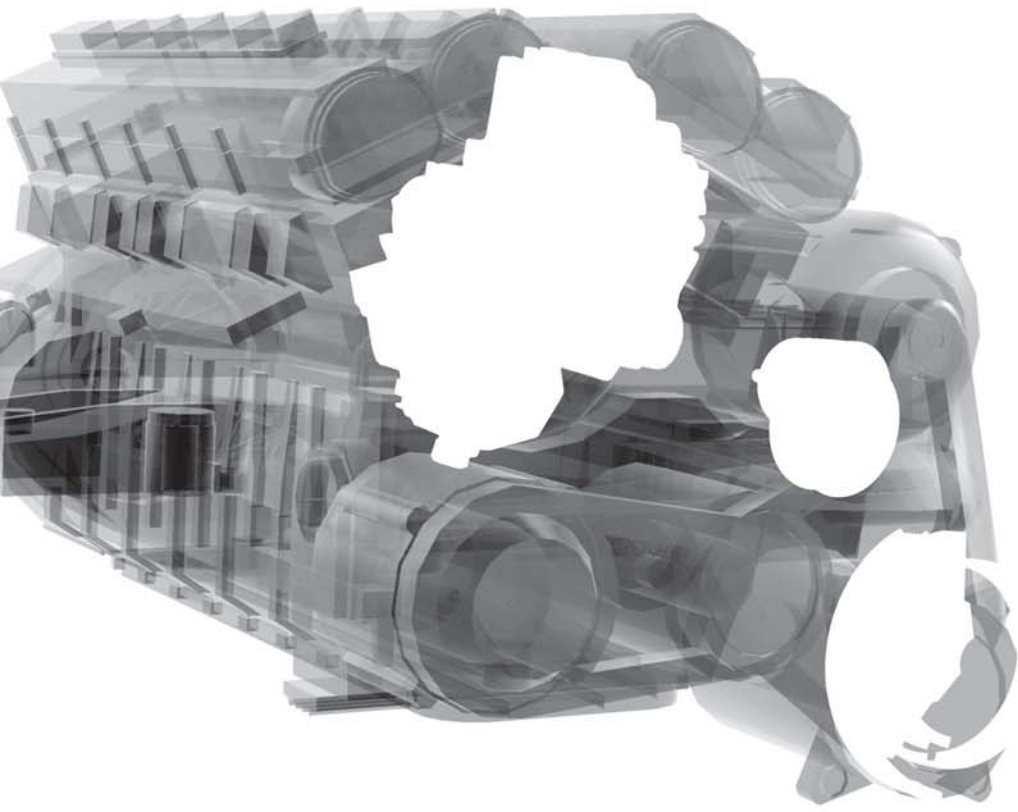
GLYCODUR® offers you individual sliding bearing solutions for your automotive applications. Besides the maintenance-free standard material GLYCODUR® F, other typical materials used are the highly-resilient GLYCO® 97, or GLYCO® 90 for zero-backlash component mounting. From choosing the right material at the start to calculating

the nominal usable life and constructing special parts for specific sliding bearing applications, our experts are able to offer you advice and practical help.

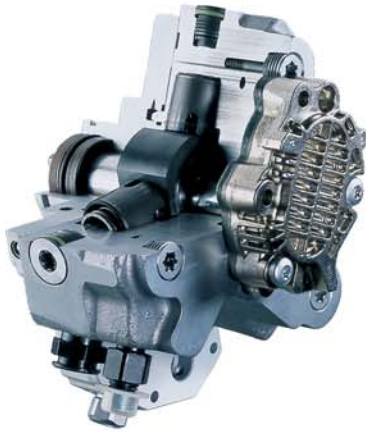
GLYCODUR® fulfils the most demanding expectations for sliding bearings thanks to the continuous attention given to quality and quality assurance measures in development and production. International certificates such as DIN EN ISO 9001, ISO/TS 16949 and DIN EN ISO 14001 are documentary proof of this. Even the requirements set by EU Directive 2000/53/EG for older vehicles are met – this is because all GLYCODUR® sliding bearing materials are naturally free from lead and materials causing environmental pollution, and have been so for over 30 years.

For our environment. GLYCODUR®.





GLYCODUR® – Power Train Applications



Common rail pump

Specifications

GLYCODUR® material	GLYCODUR® F
surrounding conditions	lubricated
lubricant	Diesel fuel
max. load p	17 MPa
max. speed n	4000 min ⁻¹
max. temperature T	120 °C
max. sliding velocity	7 m/s



Belt tensioner

Specifications

GLYCODUR® material	GLYCO® 97
max. load p	12 MPa
frequency f	30 Hz
max. temperature T	100 °C



Decoupling Pulley

Specifications

- high wear resistance
- heat resistant
- noiseless
- reliable press fit
- dirt insensitive

Dual mass flywheel

Specifications

GLYCODUR® material	GLYCO® 97
surrounding conditions	dry running
max. load p	14 MPa
frequency f	40 Hz
max. temperature T	120 °C
reversal of stress	30 million





GLYCODUR® – Chassis Applications

Shifting



Steering pump

Specifications

GLYCODUR® material	GLYCODUR® F
max. load p	16 MPa
max. speed n	9000 min ⁻¹
max. temperature T	80 °C

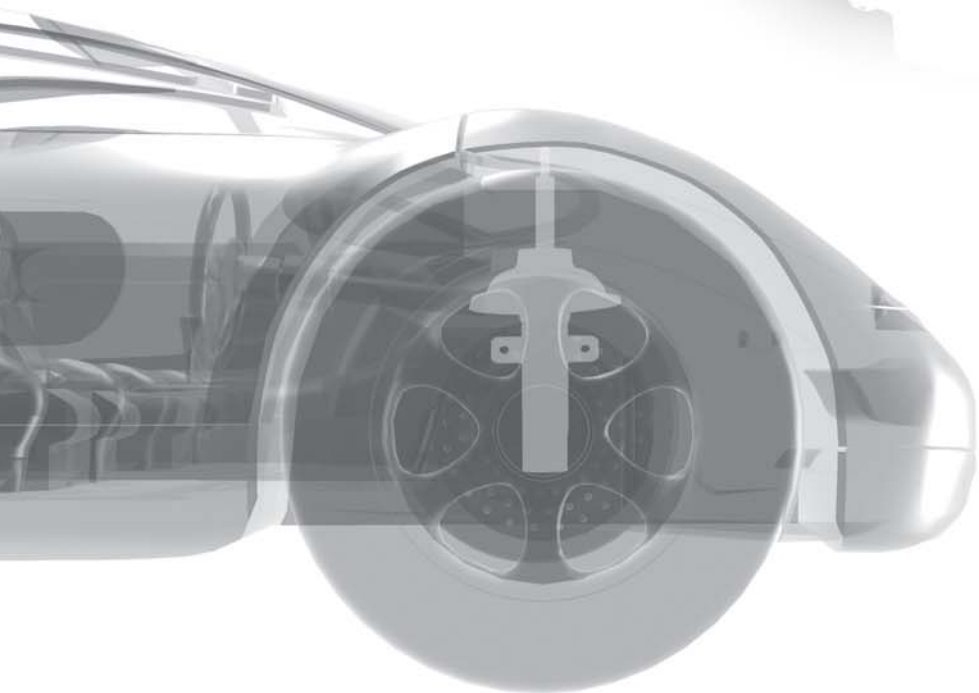
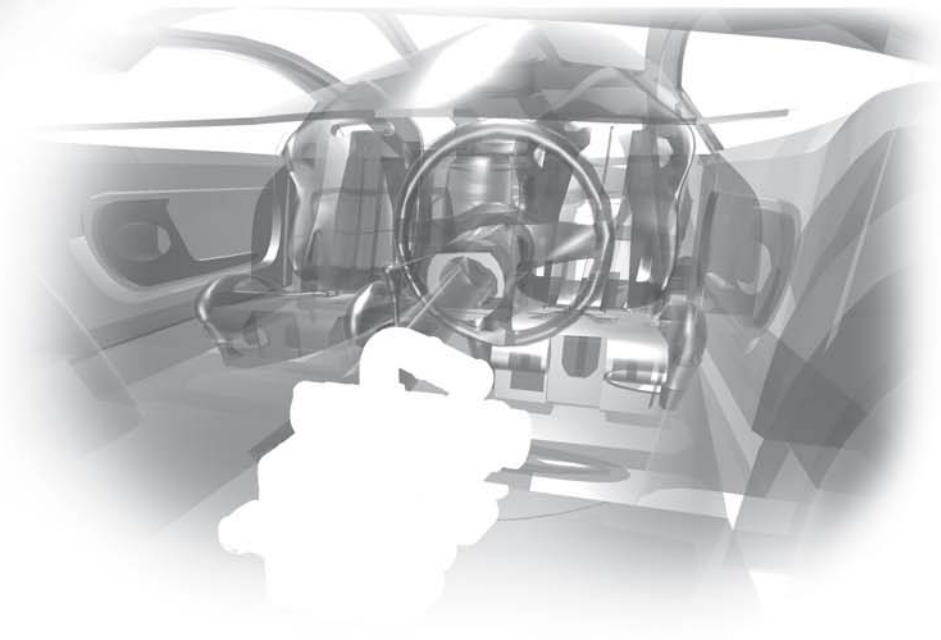


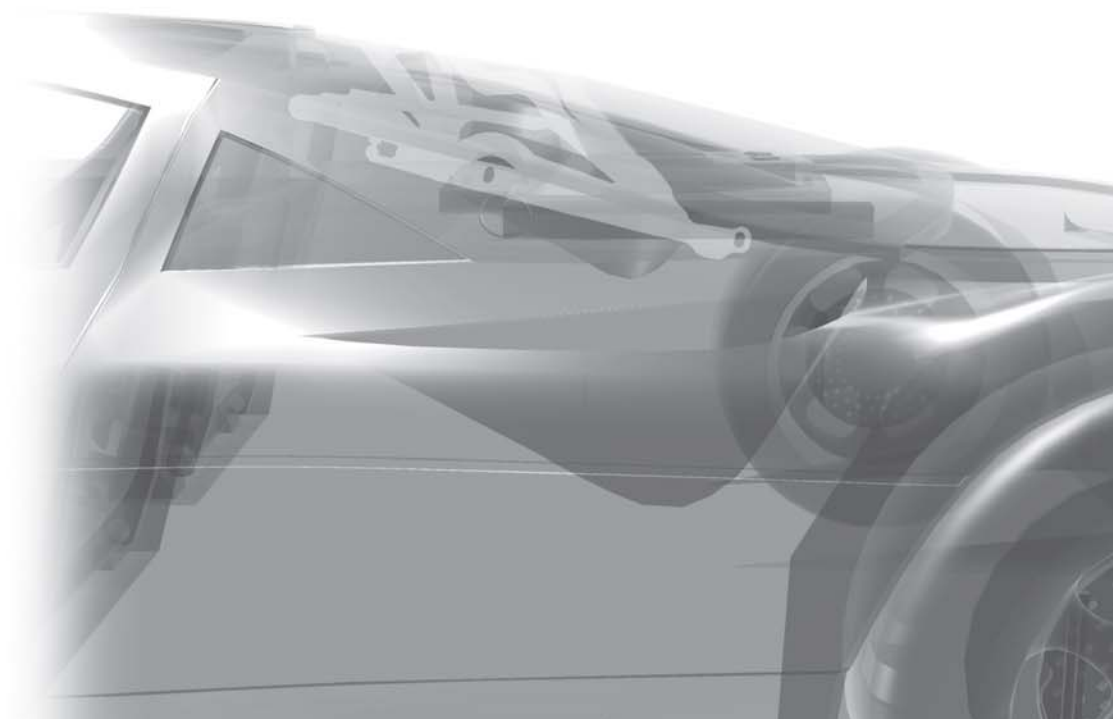
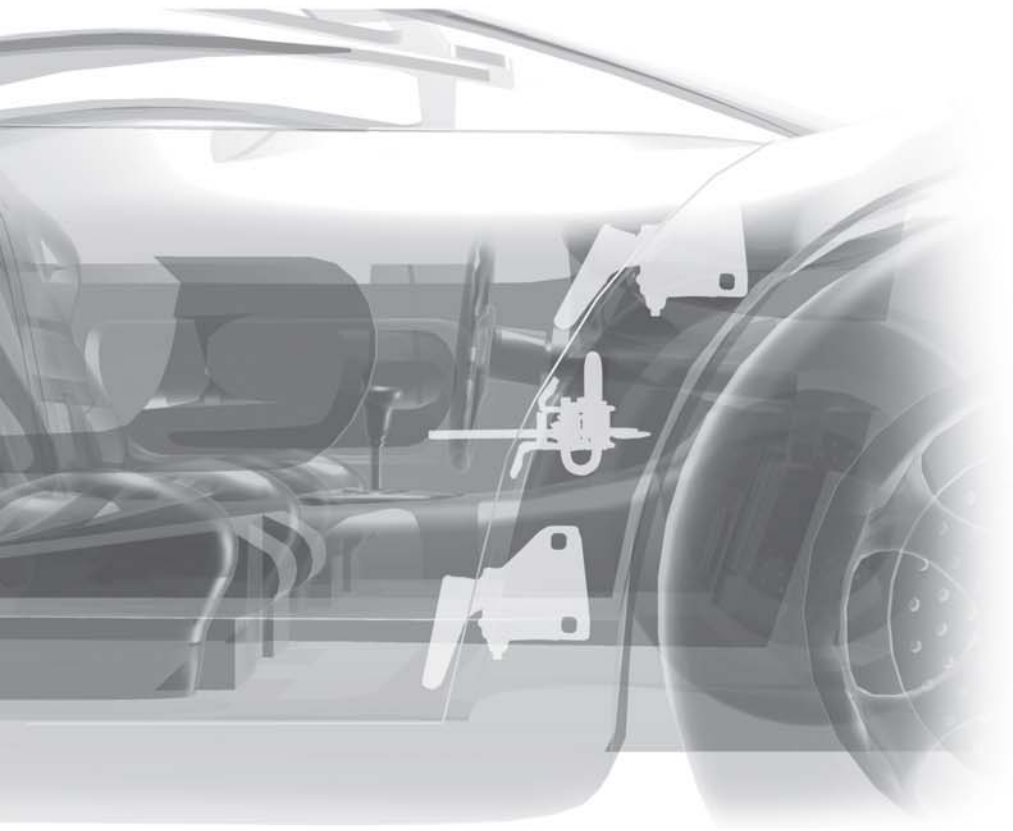
Shock absorber

Specifications

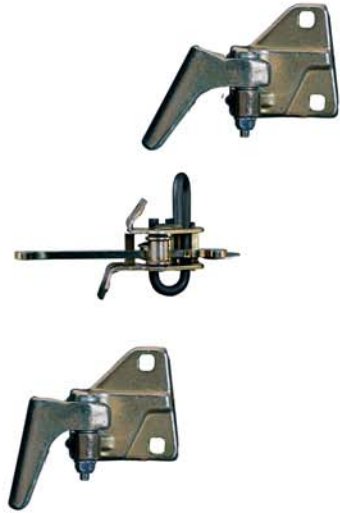
- lowest friction
- high wear resistance

GLYCODUR® material	GLYCO® 298
max. heat resistant	200 °C
max. speed v	3 m/s





GLYCODUR® – Car-Body Applications



Door Hinge

Specifications

- clearance free
- lowest clearance increase
- high load capacity
- corrosion resistant
- lowest tolerances
- lowest friction
- noiseless

Door Locking Device

Trunk Lid Hinge





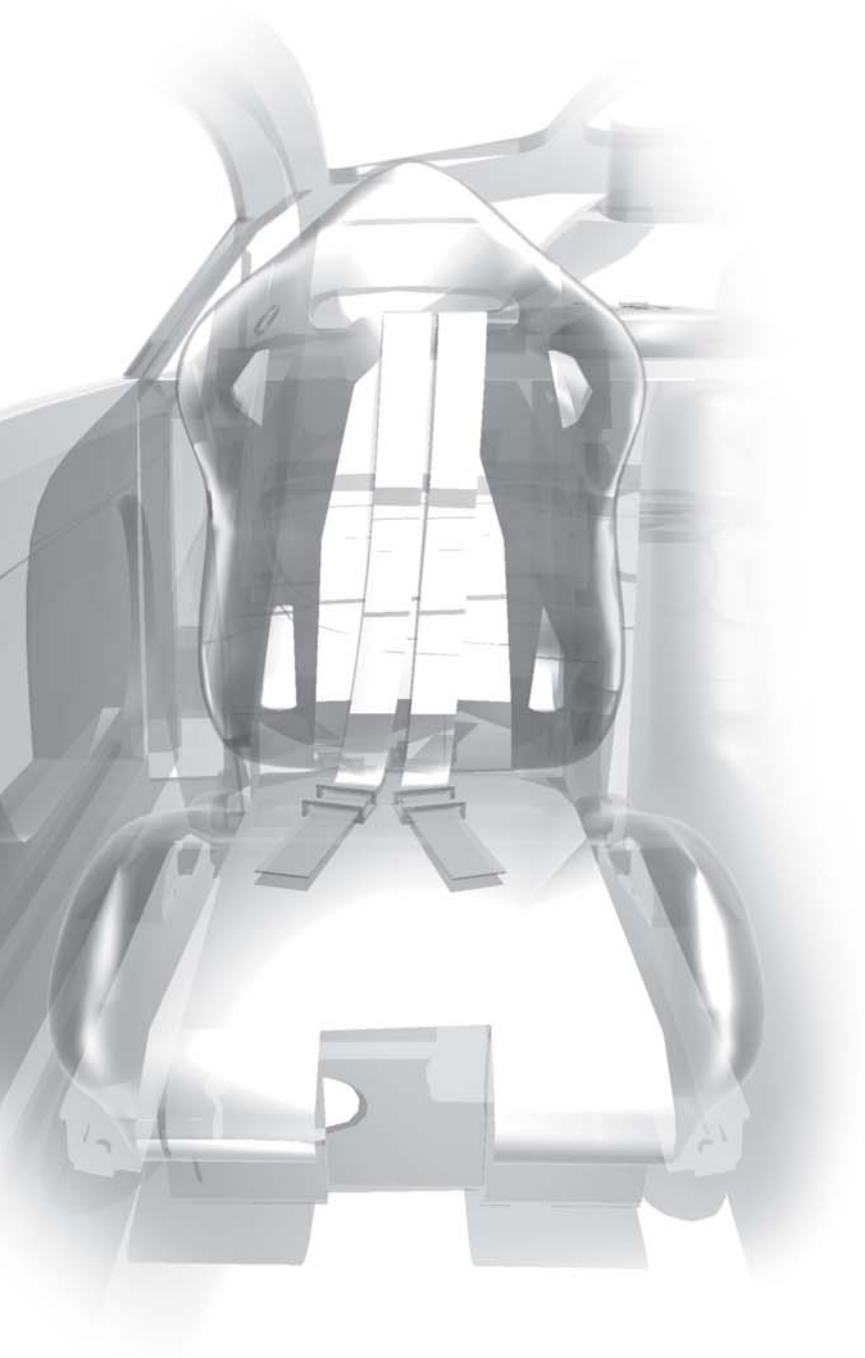
GLYCODUR® – Interior Applications

Seat Back Adjustment



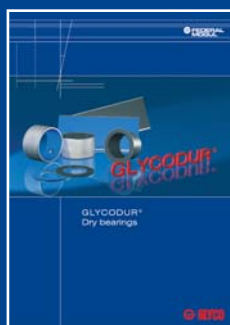
Horizontal Seat Adjustment

Vertical Seat Adjustment

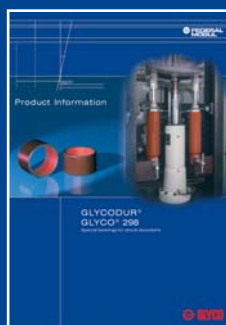


More Automotive Applications for GLYCODUR® dry bearings

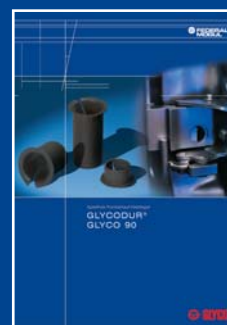
Active carbon filter valve
Air condition bearing (compressor shaft)
Antilock system
Belt tensioner system (COG belt)
Belt tensioner system, lever bearing (Poly-V-belt)
Centrifugal governor (diesel injection pump)
Decoupling pulley
Door hinges with flanged bushings and extra wide bushings
Drive pump folding top, trunk hood
Drive train mounting (axial movement)
Dual mass flywheel
Electrical fuel pump
Folding top frame
Gearshift lever bearing (automatic transmission)
Gearshift shaft bearing (gear box, shift fork)
Hydro-mount, electrically switchable
Idle speed adjustment
Intermediate steering lever (rubber metal bearing)
Mixture regulator
Pedal bearings (brake, clutch)
Power steering pump
Rod in struts of front and rear axles, linear guide
Screen wiper mechanism, spring loaded articulation
Seat and rest mechanism
Seat travel guide
Shift lock (automatic)
Shutter release airbag, turn over frame
Steering wheel, adjustable
Torsional damper
Trunk lid hinge
Universal joint
Variable ram intake manifold
Vibration damper (Poly-V-belt)
Window lift mechanism



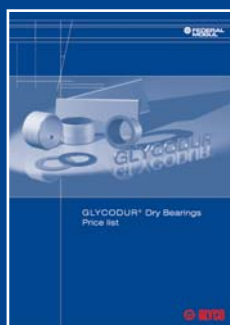
GLYCODUR®
Dry Bearings Catalogue



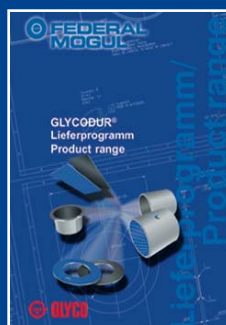
GLYCODUR®
GLYCO® 298



GLYCODUR®
GLYCO® 90



GLYCODUR®
Price list



GLYCODUR®
Product Range



GLYCODUR®
GLYCO® 97



Federal-Mogul Wiesbaden GmbH & Co. KG

Postfach 13 03 35 · D-65091 Wiesbaden
Stielstraße 11 · D-65201 Wiesbaden

Phone +49 (0) 6 11/2 01-91 30

Fax +49 (0) 6 11/2 01-91 38

e-mail info@glycodur.de

Internet <http://www.glycodur.de>

